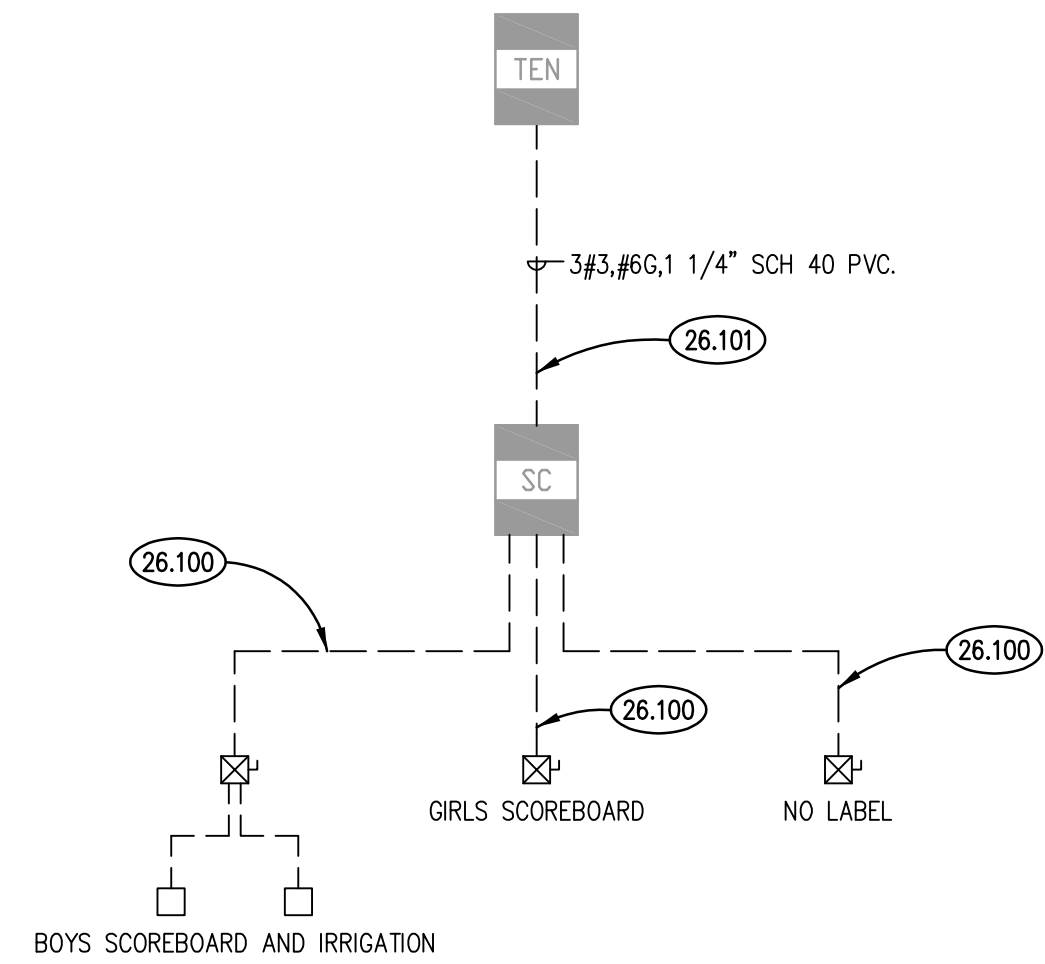
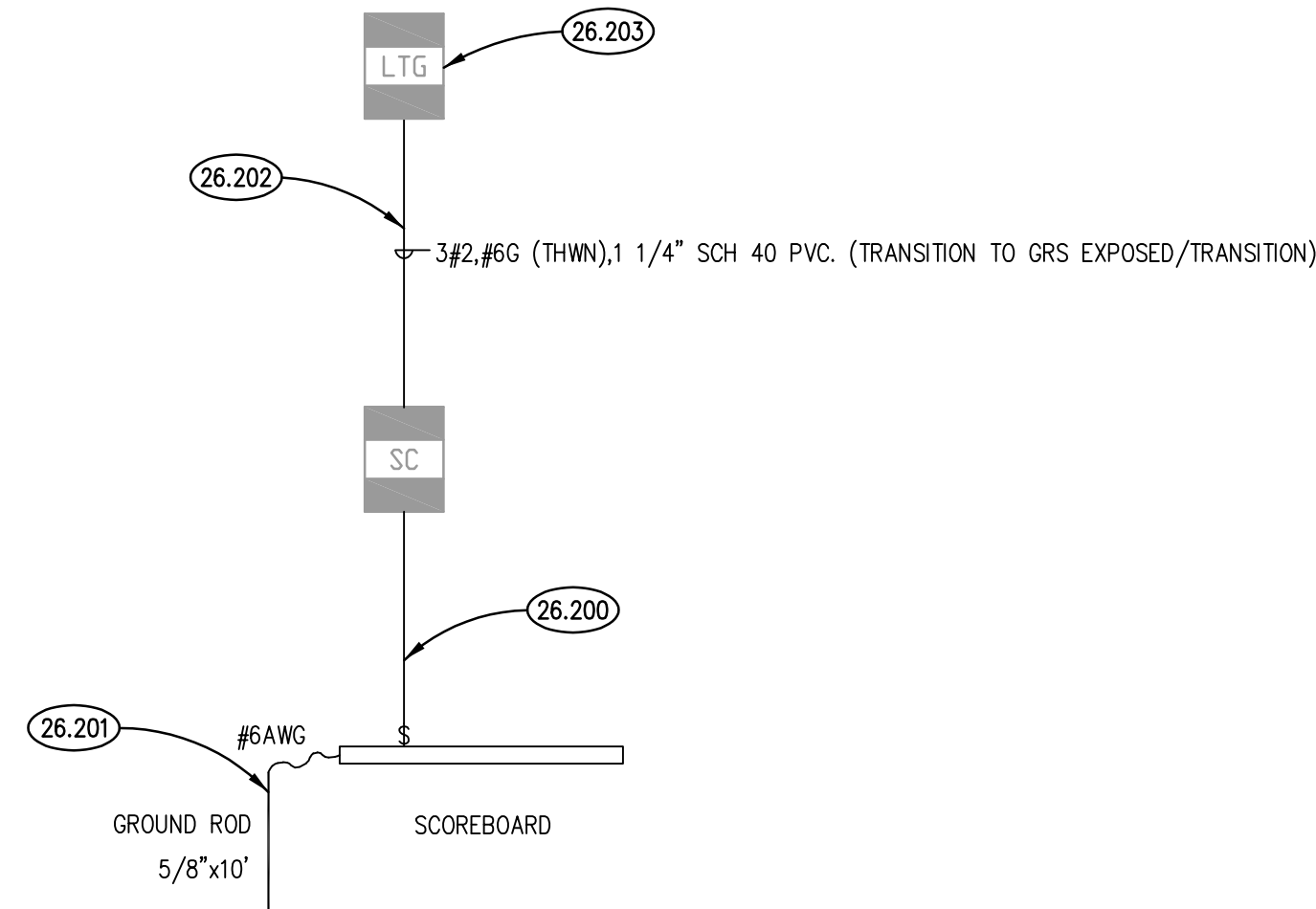


SCOREBOARD AREA ELECTRICAL PLAN (4)
SCALE: 1" = 8'-0"



ONE LINE DIAGRAM - DEMOLITION (3)
SCALE: NTS



ONE LINE DIAGRAM - REMODEL (2)
SCALE: NTS

PANEL : LTG(EXISTING) 400 MAIN CB

CKT. NO.	BRKR	DESCRIPTION	DESCRIPTION	BRKR	CKT. NO.
1	100/3	LIGHT TOWER	LIGHT TOWER	100/3	2
3	/	/	/	/	4
5	/	/	/	/	6
7	100/3	LIGHT TOWER	LIGHT TOWER	100/3	8
9	/	/	/	/	10
11	/	/	/	/	12
13	100/3	LIGHT TOWER	LIGHT TOWER	100/3	14
15	/	/	/	/	16
17	/	/	/	/	18
19	100/2	SPARE			20
21	/	/			22
23	20/1				24
25			EXISTING	100/3	26
27	100/2	PANEL SC			28
29	/	/			30

VOLTAGE: 120 / 208 VOLT, 3PHASE, 4WIRE
 TOTAL PHASE A: 31998
 TOTAL PHASE B: 32928
 TOTAL PHASE C: 32358
 TOTAL WATTS: 97284 DEMAND WATTS: 97284
 TOTAL AMPS: 270.0 DEMAND AMPS: 270.0

NOTES:
 1. BOTTOM FEED, NEMA 3R
 2. LOCKABLE COVER, PEDESTAL.
 3. 10,000 AIC
 4. MFR: SQUARE D

PANEL : SC(EXISTING) 100A MAIN CB

CKT. NO.	BRKR	DESCRIPTION	PHASE		DESCRIPTION	BRKR	CKT. NO.
			A	C			
1	90/2	BOYS SCORE BOARD			IRRIGATION PUMP	50/2	2
3	/	DEMO			DEMO	/	4
5	40/2	UNKNOWN			GIRLS SCORE BOARD (DEMO)	30/1	6
7	/	DEMO		180	BOYS DUGOUT	20/1	8
9	15/1	UNKNOWN			IRRIGACITON CONTROL (DEMO)	15/1	10
11	20/1	UNKNOWN		180	REC: PANEL	20/1	12
13	20/1	UNKNOWN		930	SCOREBOARD (NEW)	20/1**	14
15							16
17							18

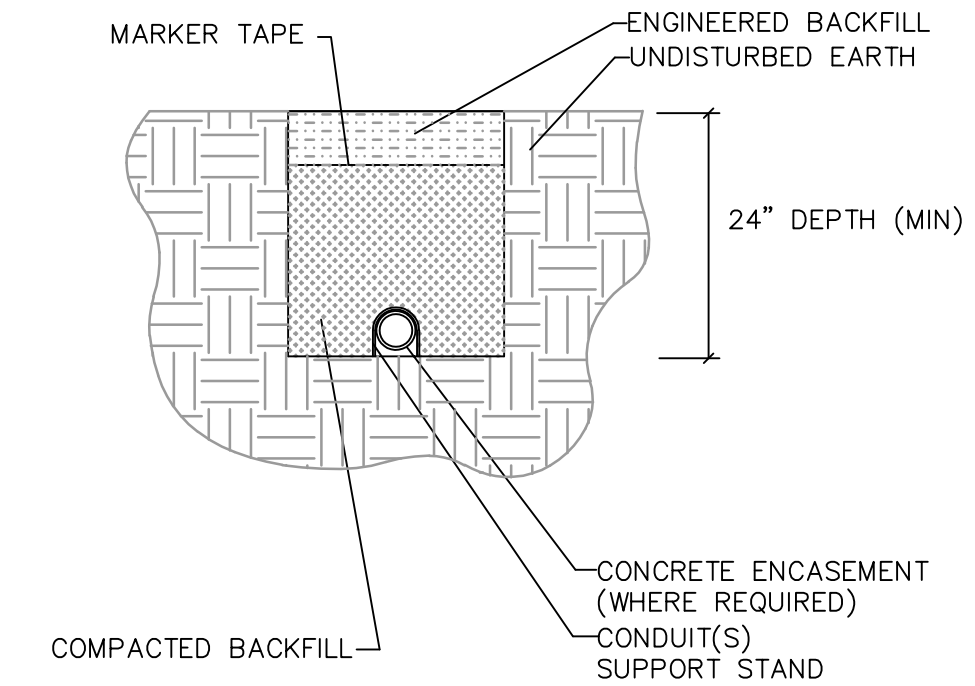
VOLTAGE: 120 / 240 VOLT, 1PHASE, 3WIRE
 TOTAL PHASE A: 930
 TOTAL PHASE C: 360
 SUB TOTAL WATTS: 1290 DEMAND WATTS: 1290
 SUB TOTAL AMPS: 3.1 DEMAND AMPS: 3.1

NOTES:
 1. BOTTOM FEED, NEMA 3R ENCLOSURE, GROUND BUS
 2. LOCKABLE COVER, SURFACE MOUNTED
 3. MFR: SQUARE D NO18LIC, 10,000 AIC
 * DENOTES HANDLELOCK CIRCUIT BREAKER
 ** INDICATES GFI BREAKER

PANEL SCHEDULES (1)
SCALE: NTS

KEYNOTES

- KEYNOTES ARE TYPICALLY NOT DUPLICATED WITHIN A GIVEN DETAIL. AN UN-KEYNOTED ITEM IN A DETAIL IS THE SAME AS A KEYNOTED ITEM HAVING THE SAME APPEARANCE WITHIN THE SAME DETAIL.
- 26.100 ABANDON BRANCH CIRCUITRY AND EQUIPMENT IN PLACE. VERIFY EQUIPMENT IS ABANDONED PRIOR TO DEMOLITION. ABANDON CIRCUIT BREAKER IN PLACE, PROVIDE LOCK OUT.
 - 26.101 DEMOLISH FEEDER FROM PANEL TEN TO PANEL SC. REMOVE FEEDER CONDUCTOR. ABANDON CONDUIT BELOW GRADE.
 - 26.102 EXISTING FLAG POLE LIGHTING TO REMAIN.
 - 26.200 PROVIDE EQUIPMENT CONNECTION TO SCOREBOARD. VERIFY ELECTRICAL CHARACTERISTICS (120V, 930 VA) PRIOR TO INSTALLATION. PROVIDE DISCONNECT.
 - 26.201 PROVIDE SUPPLEMENTAL GROUND ELECTRICAL AND BOND TO SCOREBOARD METAL FRAME. PROVIDE BOND BETWEEN EACH SCOREBOARD SECTION - 2 SECTIONS.
 - 26.202 PROVIDE NEW FEEDER FROM PANEL LTG TO PANEL SC IN OPEN TRENCH. REFER TO CIVIL DRAWINGS FOR EXACT ROUTING. COORDINATE WITH UNDERGROUND UTILITIES.
 - 26.203 PROVIDE NEW 100/2 BREAKER AT PANEL LTG FOR SC PANEL. MATCH BREAKER WITH EXISTING PANEL MFR.



SITE LIGHTING TRENCHING DETAIL (5)
SCALE: NTS

Kluber
Architects + Engineers

Kluber, Inc.
Aurora, Illinois 60506
Tel. 630.466.1213
Chicago, Illinois 60606
Tel. 312.667.5670
www.kluberinc.com

Manhard CONSULTING
 One Overlook Point, Suite 200, Lincolnshire, IL 60069
 Civil Engineers • Surveyors • Water Resource Engineers • Water & Wastewater Engineers
 Construction Managers • Environmental Scientists • Landscape Architects • Planners

OAKTON COMMUNITY COLLEGE BASEBALL FIELD IMPROVEMENTS
 CITY OF DES PLAINES, ILLINOIS
 ELECTRICAL

PROJ. MGR.: MTK
 PROJ. ASSOC.: MTK
 DRAWN BY: MTK
 DATE: 04/12/23
 SCALE:

SHEET
E200