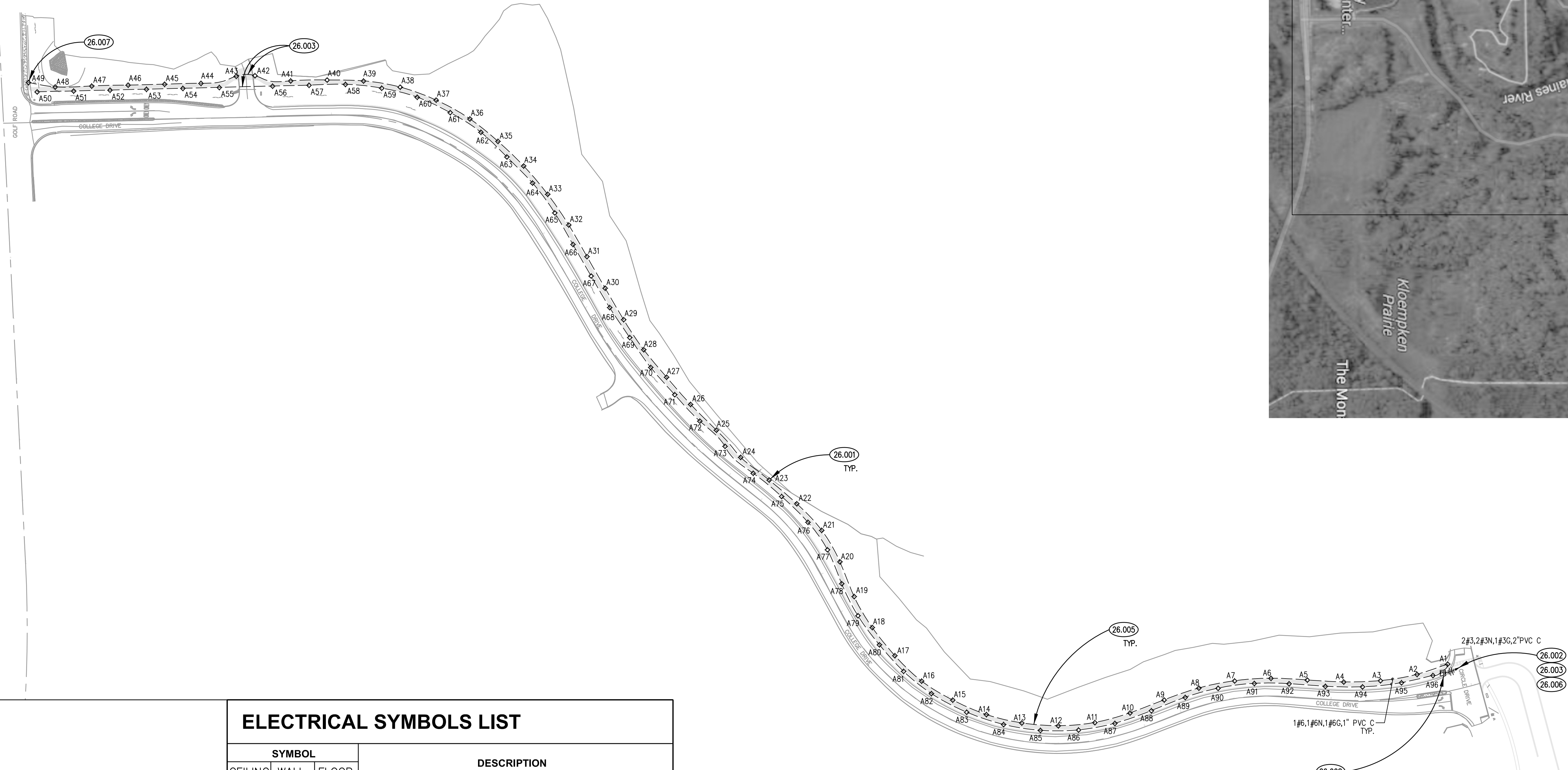


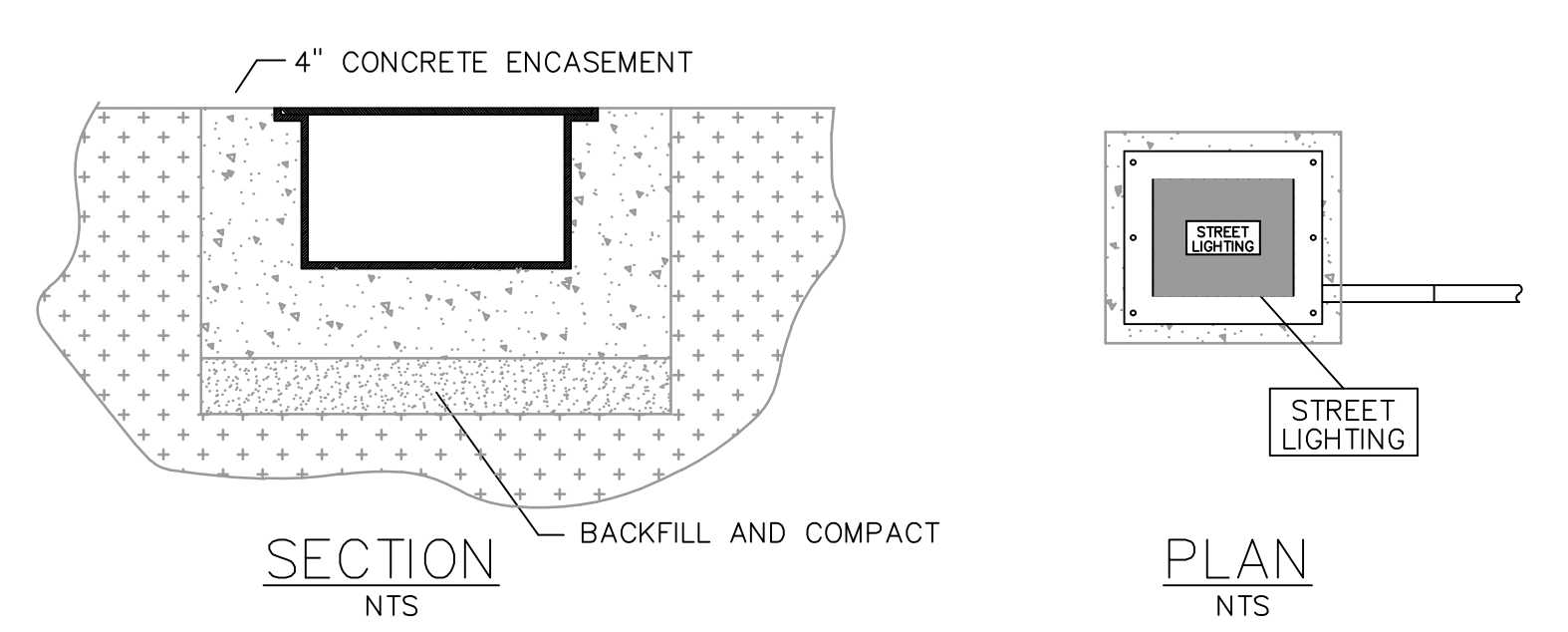


26.002
26.004
26.006
26.009



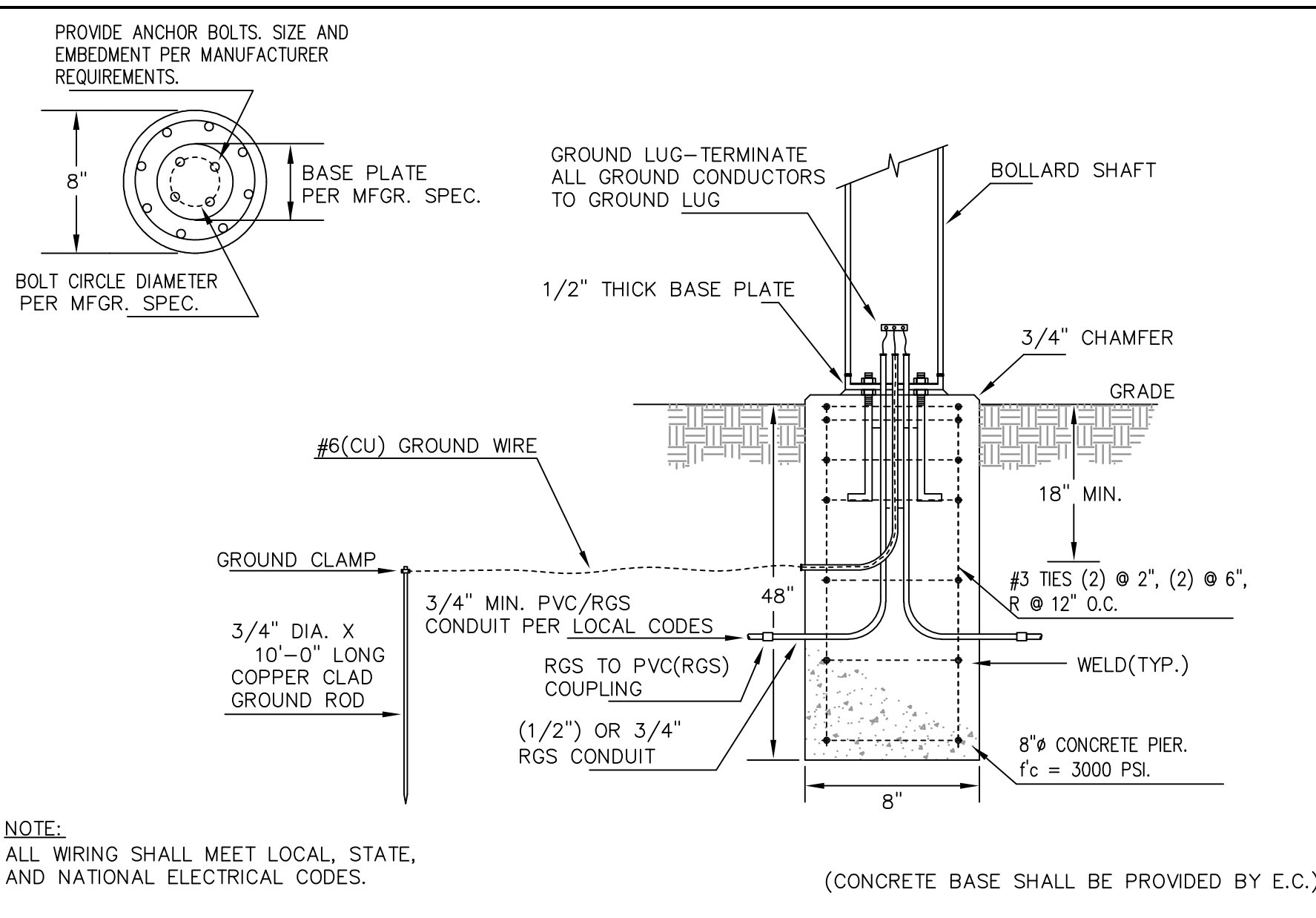
ELECTRICAL SYMBOLS LIST

| SYMBOL | | | DESCRIPTION |
|---------------|------|-------|--|
| CEILING | WALL | FLOOR | |
| | | ◆ | LED BOLLARD FIXTURE TYPE. SEE LIGHTING FIXTURE SCHEDULE IN SPECIFICATIONS. |
| | | ▢ | PULL BOX. SIZE AS NOTED. |
| — | — | — | WIRING IN CONDUIT CONCEALED ABOVE CEILING, IN WALL AND UNDER FLOOR OR UNDERGROUND. |
| — | — | — | WIRING IN CONDUIT EXPOSED ON CEILING OR WALL. |
| — | — | — | BRANCH CIRCUIT WIRING IN CONDUIT HOMERUN TO PANEL. ONE ARROW PER HOMERUN. SLASHES INDICATE NUMBER OF CONDUCTORS. |
| — | — | — | INDICATES GROUND CONDUCTOR. |
| — | — | — | INDICATES ISOLATED GROUND CONDUCTOR. |
| — | — | — | PANEL ABOVE 240V. |
| MISCELLANEOUS | | | |
| | | ⬠ | HVAC EQUIPMENT IDENTIFICATION |
| | | ⬠ | KEYNOTE IDENTIFICATION |
| | | ⬠ | DETAIL NUMBER DRAWING NUMBER |

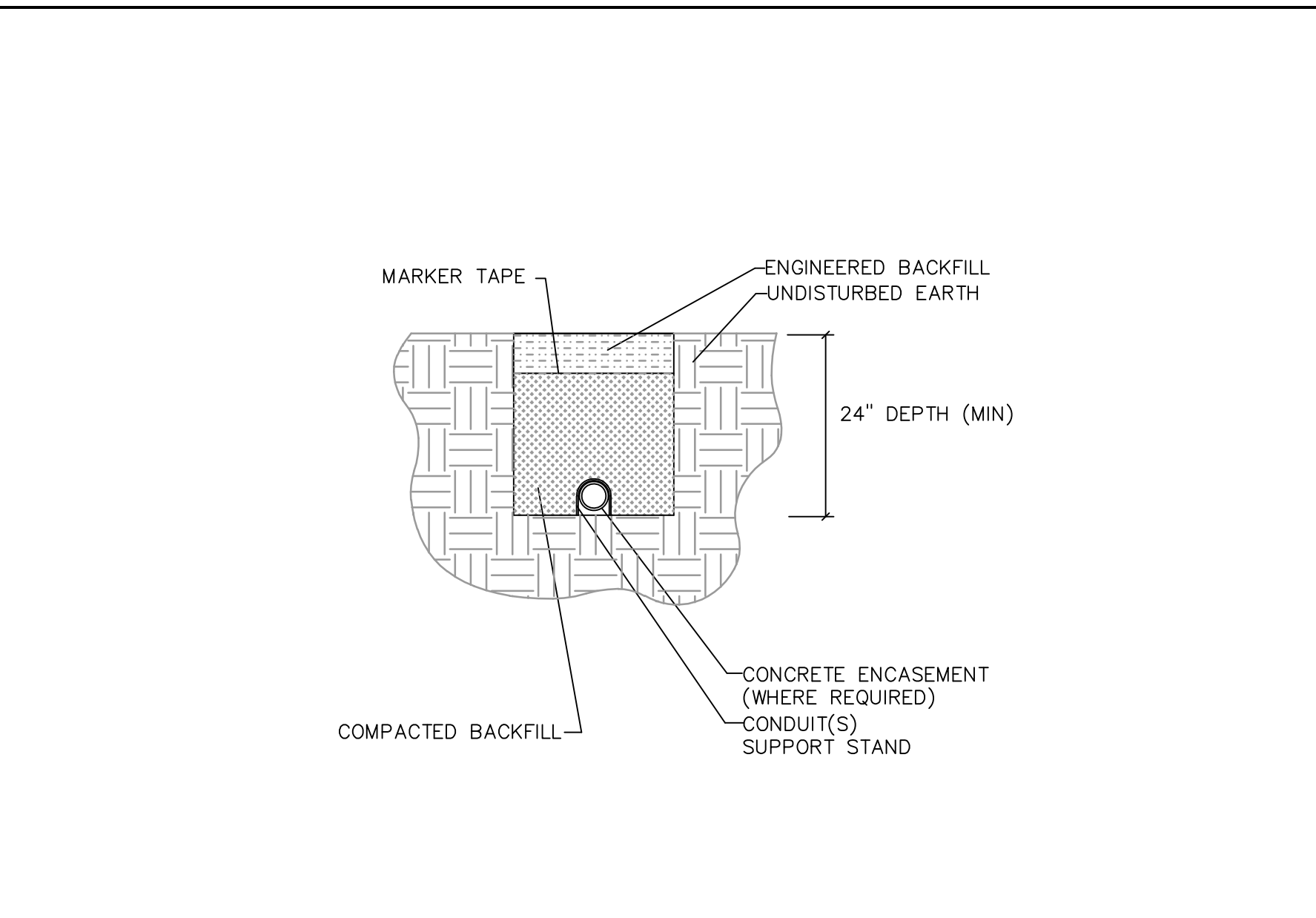


SITE LIGHTING PULL BOX DETAIL
SCALE: N.T.S. 5

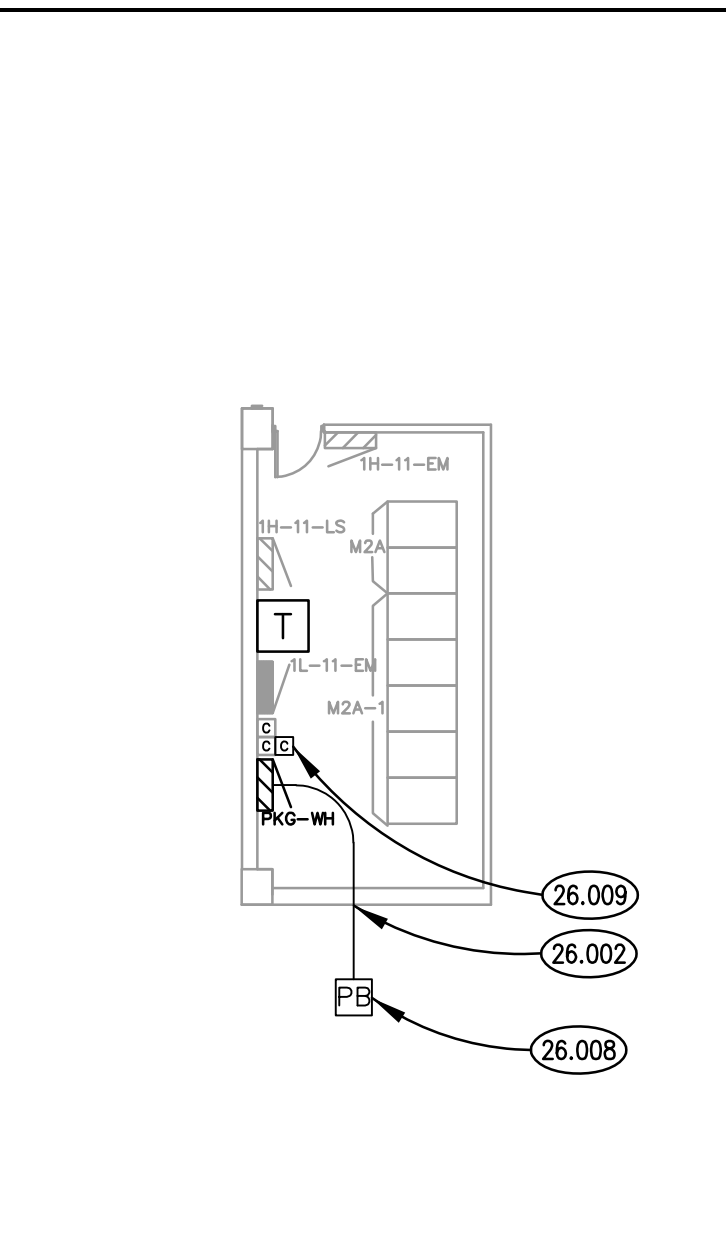
ELECTRICAL SITE PLAN
SCALE: 1" = 100'-0" 1



BOLLARD POLE BASE DETAIL
SCALE: N.T.S. 4



SITE LIGHTING TRENCHING DETAIL
SCALE: N.T.S. 3



ELEC. RM. 1203
SCALE: N.T.S. 2

GENERAL NOTES

- INTENT OF DRAWINGS: THESE DRAWINGS ARE INTENDED TO RELAY TO CONTRACTOR A DESIGN INTENT. INCLUDE IN BID ALL LABOR AND MATERIALS NECESSARY FOR A COMPLETE AND OPERATIONAL SYSTEM AS REASONABLY INTERPRETABLE, AS DETERMINED BY ARCHITECT/ENGINEER, TO ACCOMPLISH THE INTENT OF THESE DRAWINGS.
- REFER TO CIVIL PLANS, SHOP DRAWINGS AND MANUFACTURERS INSTALLATION INSTRUCTIONS FOR ADDITIONAL INFORMATION ON EXACT POWER, WIRING & ROUGH-IN REQUIREMENTS AND LOCATIONS OF DEVICES.

KEYNOTES

- KEYNOTES ARE TYPICALLY NOT DUPLICATED WITHIN A GIVEN DETAIL. AN UN-KEYNOTED ITEM IN A DETAIL IS THE SAME AS A KEYNOTED ITEM HAVING THE SAME APPEARANCE WITHIN THE SAME DETAIL.
- 26.001 PROVIDE NEW LED TYPE BOLLARD LIGHT. SEE SPECIFICATIONS FOR LUMINAIRE REQUIREMENTS. NOMINAL SPACING 60' O.C. AND STAGGERED ON OPPOSITE SIDES OF PEDESTRIAN WAY.
 - 26.002 HOMERUN 2#3.2#3N,2#36.2" PVC CONDUIT TO BUILDING EXTERIOR OUTSIDE ELECTRICAL ROOM. TRANSITION TO GRS CONDUIT ABOVE GROUND. PROVIDE CONDUIT BODY (LB) INTO ELECTRICAL ROOM. PATCH & REPAIR LANDSCAPING AND BROCK AS REQUIRED.
 - 26.003 CONCRETE ENCASE CONDUIT UNDER ROADWAY. PROVIDE MINIMUM 24" COVER. SEE SITE LIGHTING TRENCHING DETAIL, THIS SHEET. COORDINATE WITH CIVIL ENGINEER.
 - 26.004 PROVIDE QTY. 2, 20 AMPERE, SINGLE POLE BREAKERS IN EXISTING PANELBOARD PKG-WH (SQUARE D NHB3 PANELBOARD 277/480V, 3 PHASE, 4 WIRE) FOR NEW LIGHTING BRANCH CIRCUITS.
 - 26.005 PROVIDE CONDUIT TRENCH. PROVIDE MINIMUM 24" COVER. SEE SITE LIGHTING TRENCHING DETAIL, THIS SHEET. COORDINATE WITH CIVIL ENGINEER.
 - 26.006 DIRECTIONALLY BORE HOMERUN FROM PULLBOX LOCATION TO BUILDING EXTERIOR.
 - 26.007 NOMINAL TOTAL FEEDER LENGTH: 3000'.
 - 26.008 SITE LIGHTING PULLBOX - 24" SQ.
 - 26.009 PROVIDE NEW 2 POLE LIGHTING CONTACTOR. PROVIDE CUBE RELAY AND EXTEND CONTROL WIRING FROM LIGHTING CONTROL PANEL TO NEW CONTACTOR.

| ISSUED | DATE | BY | REVISION |
|----------|-----------------------------|----|----------|
| 11/11/21 | 100% CONSTRUCTION DOCUMENTS | | |

JOB NO. 21-416-1384
DRAWN ATR
CHECKED MTK
APPROVED MTK

SHEET TITLE
ELECTRICAL SITE PLAN

SHEET NUMBER
E100

P:\1384 - Main Entrance Pedestrian Lights\3D_Design\Drawings\DCD\AutoCAD\DWG_111182021_430202_PLV_ATR